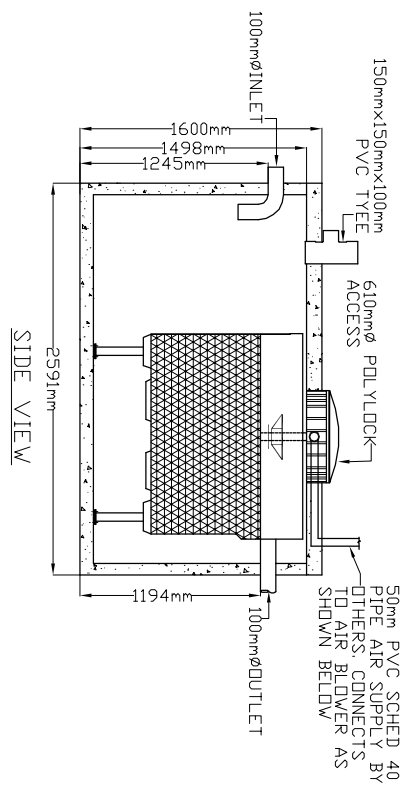
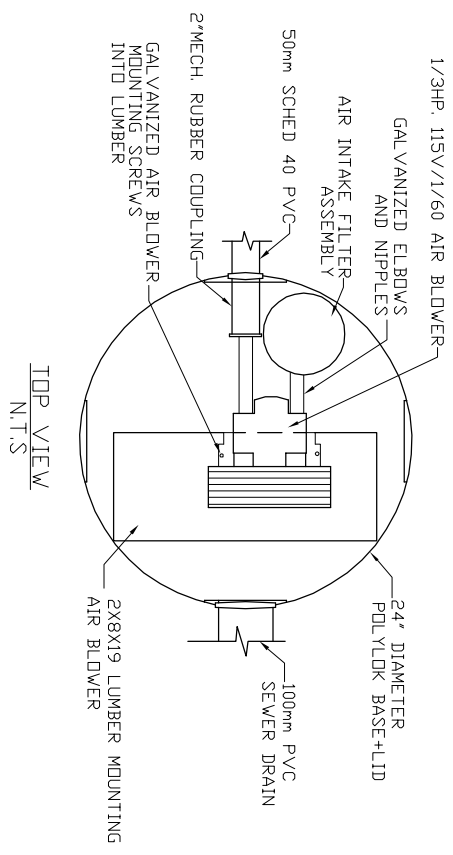


LID TOP VIEW

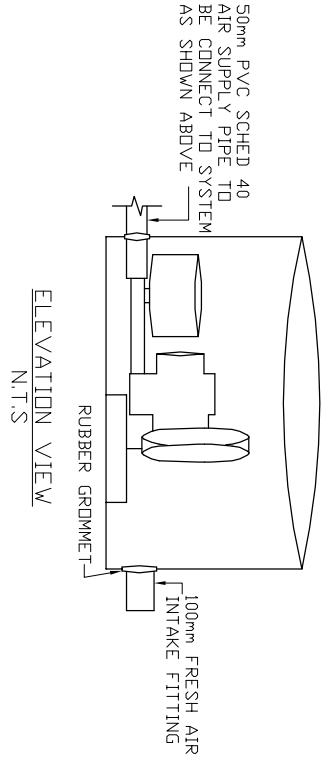


SIDE VIEW

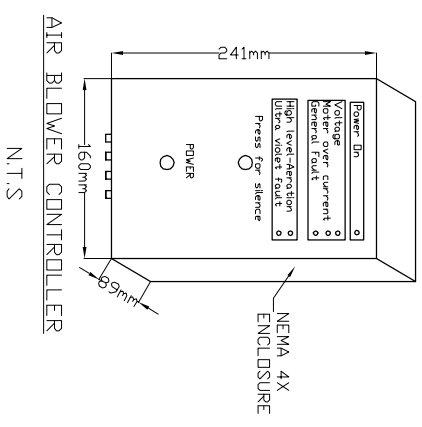
AIR BLOWER INGROUND VAULT



TOP VIEW  
N.T.S.



ELEVATION VIEW  
N.T.S.



AIR BLOWER CONTROLLER  
N.T.S.

- MicroFAST® 0.9**  
TANK MANUFACTURED BY  
ABC PRECAST INC  
SYSTEM IS DELIVERED FACTORY  
PRE-ASSEMBLED  
1. CONCRETE TANK MANUFACTURER'S MODEL  
NO: 1000-1PC-10CH  
REFER TO MANUFACTURERS SPECIFICATION  
FOR TANK AND BURIAL  
INSTALLATION GUIDELINES
2. OPERATING CONDITION  
3. 407 LITRES (900 us gals) (750 imp gals)  
PER DAY OF DOMESTIC RESIDENTIAL SEWAGE  
COLLECTION TANK
3. TRASH COLLECTION TANK  
SHALL BE A MINIMUM OF 1/2 AND A MAXIMUM  
OF 15 TIMES THE DAILY DESIGN FLOW AND  
PROVIDED BY OTHERS.
4. INFLUENT  
BOD = 250 mg/l  
TSS = 250 mg/l  
FATS, OIL GREASES = 35 mg/l
5. EFFLUENT (capabilities)  
BOD = 10 mg/l  
TSS = 10 mg/l  
TOTAL NITROGEN = 70% Reduction
6. VOLUMETRIC CAPACITY  
SINGLE CHAMBER = 4,546 L
7. DRY SHIPPING WEIGHT  
3,650 kg
8. BURIAL DEPTH  
MAXIMUM EARTH COVER (ND CLAY) 610mm
9. FOR INSTALLATION, REFER TO CSA B66,  
BC SEWERAGE SYSTEM STANDARD  
PRACTICE MANUAL AND INSTALLATION  
GUIDELINES PUBLISHED BY PINNACLE  
ENVIRONMENTAL TECHNOLOGIES INC.
10. DIMENSIONS in mm.
11. INLET AND OUTLET ACCEPT 100mm S/D  
COUPLING
12. EXTENSION FOR SERVICE ACCESS  
HATCHES AVAILABLE ON REQUEST.
13. MAXIMUM EARTH COVER AS MEASURED  
FROM TANK TOP CENTRE LINE  
(NOT INCLUDING RISERS) IS 610mm.
14. FOR HIGH WATER TABLE INSTALLATION  
CONTACT PINNACLE PRIOR TO  
ORDERING.
15. FOR VEHICLE TRAFFIC CONTACT PINNACLE  
PRIOR TO ORDERING.



Pinnacle Environmental Technologies Inc.  
Mailing Add: P.O. Box 12112, Langley, BC, V3A 9J  
Location: 22867-Fraser Hwy, Langley, BC  
Ph: 604-514-7555 Fax: 604-514-7595  
Email: info@peti.ca  
WebSite: www.peti.ca

Project Title/Description  
MicroFAST 0.9

Drawn By: S. Mann  
Scale: 1:50  
Date: 12.Oct.2011

Drawing No: ABC MCF 0.9-1-01  
Revision No: 0  
Sheet No: 1 of 1