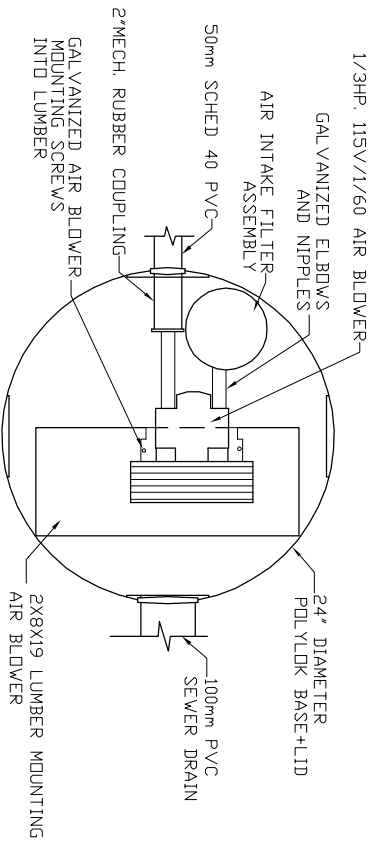
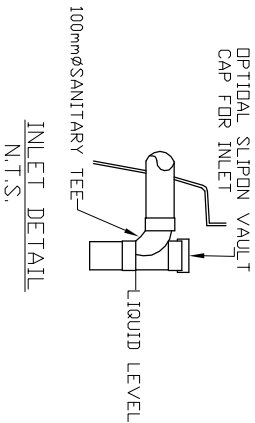


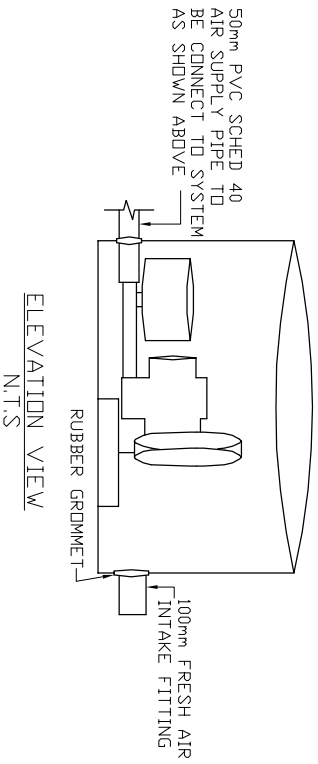
AIR BLOWER INGROUND VAULT



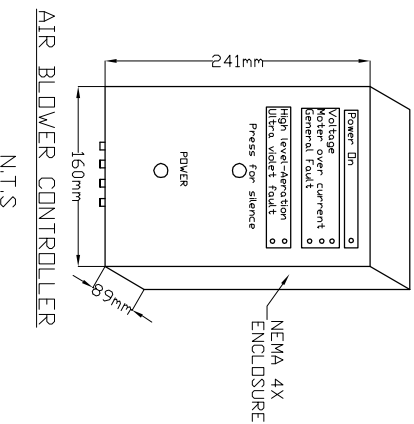
TOP VIEW
N.T.S.



INLET DETAIL
N.T.S.



ELEVATION VIEW
N.T.S.



AIR BLOWER CONTROLLER
N.T.S.

MicroFAST® 0.75
TANK MANUFACTURED BY
ABC PRECAST INC

SYSTEM IS DELIVERED FACTORY
PRE-ASSEMBLED

1. CONCRETE TANK MANUFACTURER'S MODEL
NO: 1000-1PC-2CH
REFER TO MANUFACTURER'S SPECIFICATION
FOR TANK AND BURIAL
INSTALLATION GUIDELINES

2. OPERATING CONDITION
2,841 LITRES (750us gals) (625 imp gals)
PER DAY OF DOMESTIC RESIDENTIAL SEWAGE
INFLUENT

3. INFLUENT
BOD = 250 mg/l
TSS = 250 mg/l
FATS, OIL GREASES = 35 mg/l

4. EFFLUENT (Capabilities)
BOD = 10 mg/l
TSS = 10 mg/l
TOTAL NITROGEN = 70% Reduction

5. VOLUMETRIC CAPACITY
1ST CHAMBER = 1,500 L
2ND CHAMBER = 3,046 L

6. DRY SHIPPING WEIGHT
5,650 kg

7. BURIAL DEPTH
MAXIMUM EARTH COVER (ND CLAY) 610mm

8. FOR INSTALLATION, REFER TO CSA B66,
BC SEWERAGE SYSTEM STANDARD
PRACTICE MANUAL AND INSTALLATION
GUIDELINES PUBLISHED BY PINNACLE
ENVIRONMENTAL TECHNOLOGIES INC.

9. DIMENSIONS in mm.

10. INLET AND OUTLET ACCEPT 100mm S/D
COUPLING

11. EXTENSION FOR SERVICE ACCESS
HATCHES AVAILABLE ON REQUEST.

12. MAXIMUM EARTH COVER AS MEASURED
FROM TANK TOP CENTRE LINE
(NOT INCLUDING RISERS) IS 610mm.

13. FOR HIGH WATER TABLE INSTALLATION
CONTACT PINNACLE PRIOR TO
ORDERING.

14. FOR VEHICLE TRAFFIC CONTACT PINNACLE
PRIOR TO ORDERING.



Pinnacle Environmental Technologies Inc.
Mailing Add: P.O. Box 12112
Langley, BC, V3A 9J
Ph: 604-514-7555 Fax: 604-514-7595
Email: info@peti.ca
WebSite: www.peti.ca

Project Title/Description
MicroFAST 0.75

Drawn By: S. Mann
Scale: 1:50
Date: 12.Oct.2011

Drawing No: ABC MCF 0.75-2-01
Revision No: 0
Sheet No: 1 of 1

Drawing No:
Revision No:
Sheet No: