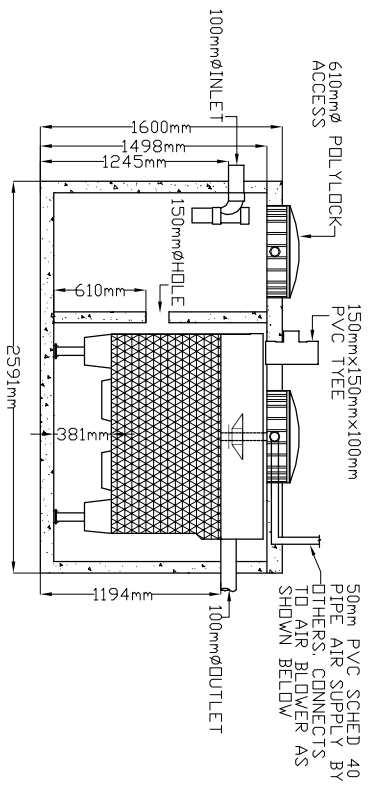
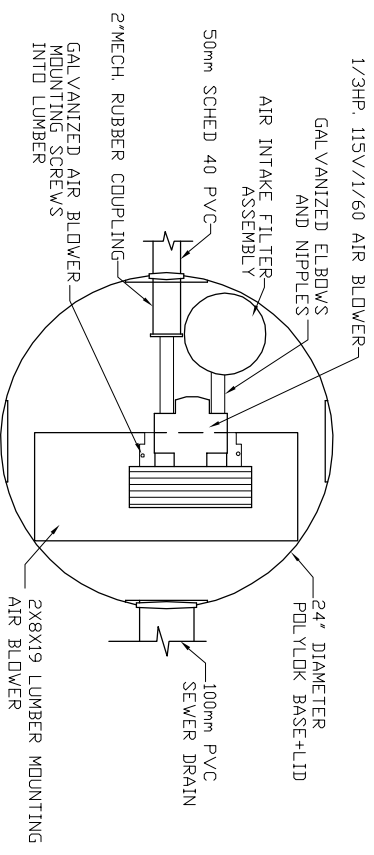


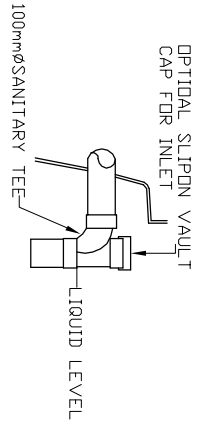
LID TOP VIEW



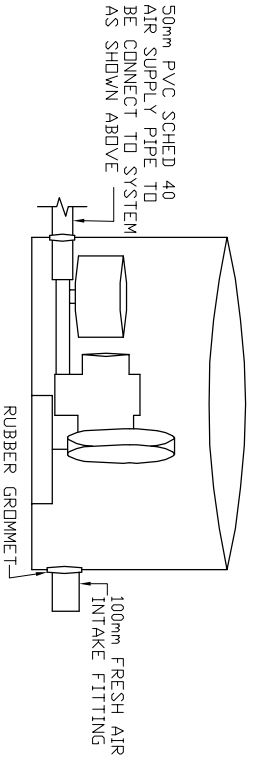
SIDE VIEW



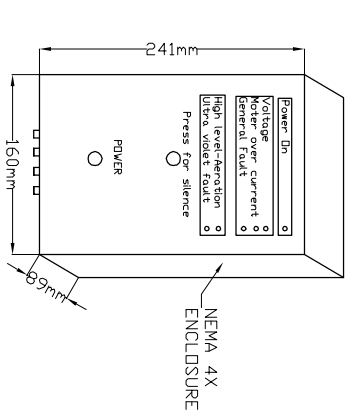
TOP VIEW
N.T.S.



INLET DETAIL
N.T.S.



ELEVATION VIEW
N.T.S.



AIR BLOWER CONTROLLER
N.T.S.

- MICROFAST®0.6**
 MANUFACTURED BY
 ABC PRECAST INC
 SYSTEM IS DELIVERED FACTORY
 PRE-ASSEMBLED
 1. CONCRETE TANK MANUFACTURER'S MODEL
 NO. 750-IPC-2CH
 REFER TO MANUFACTURERS SPECIFICATION
 FOR TANK AND BURIAL
 INSTALLATION GUIDELINES
 2. OPERATING CONDITION
 2,271 LITRES (600 us gals) (500 imp gals)
 PER DAY OF DOMESTIC RESIDENTIAL SEWAGE
 3. INFLUENT
 BOD = 250 mg/l
 TSS = 250 mg/l
 FATS, OIL GREASES = 35 mg/l
 4. EFFLUENT (capabilities)
 BOD = 10 mg/l
 TSS = 10 mg/l
 TOTAL NITROGEN = 70% Reduction
 5. VOLUMETRIC CAPACITY
 1ST CHAMBER = 1,135 L
 2ND CHAMBER = 2,275 L
 6. DRY SHIPPING WEIGHT = 3,650 KG
 7. BURIAL DEPTH
 MAXIMUM EARTH COVER (ND CLAY) 610mm
 8. FOR INSTALLATION, REFER TO CSA B66,
 BC SEWERAGE SYSTEM STANDARD
 PRACTICE MANUAL AND INSTALLATION
 GUIDELINES PUBLISHED BY PINNACLE
 ENVIRONMENTAL TECHNOLOGIES INC.
 9. DIMENSIONS in mm.
 10. INLET AND OUTLET ACCEPT 100mm S/D
 COUPLING
 11. EXTENSION FOR SERVICE ACCESS
 HATCHES AVAILABLE ON REQUEST.
 12. MAXIMUM EARTH COVER AS MEASURED
 FROM TANK TOP CENTRE LINE
 (NOT INCLUDING RISERS) IS 610mm.
 13. FOR HIGH WATER TABLE INSTALLATION
 CONTACT PINNACLE PRIOR TO
 ORDERING.
 14. FOR VEHICLE TRAFFIC CONTACT PINNACLE
 PRIOR TO ORDERING.



Pinnacle Environmental Technologies Inc.
 Mailing Add: P.O. Box 12112
 Langley, BC, V3A 9J
 Ph: 604-514-7555
 Email: info@peti.ca
 Location: 22867-Fraser Hwy, Langley, BC
 Fax: 604-514-7595
 WebSite: www.peti.ca

Project Title/Description
 MicroFAST 0.6

Drawn By: S. Mann
 Scale: 1:50
 Date: 12.Oct.2011

Drawing No:	ABC MCF 0.6-2-01
Revision No:	0
Sheet No:	1 of 1