

**BioStorm®  
Specifications  
B3 - 12**

**BioSTORM® 0.5**

**Loading Capacity**

Peak Loading = 0.015 M<sup>3</sup>S = 0.55 CFS = 250 US Gals/M

**Notes:**

- BioSTORM™ Module leg extensions are to be Schedule 40 PVC pipe for lengths less than 24" or Schedule 80 for lengths greater than 24".
- Entire BioSTORM™ module is to be level and sealed to the underside of the tank lid.
- BioSTORM™ module to be held fast to the tank.
- Weir box prior to the BioStorm™ unit is to be supplied by others.

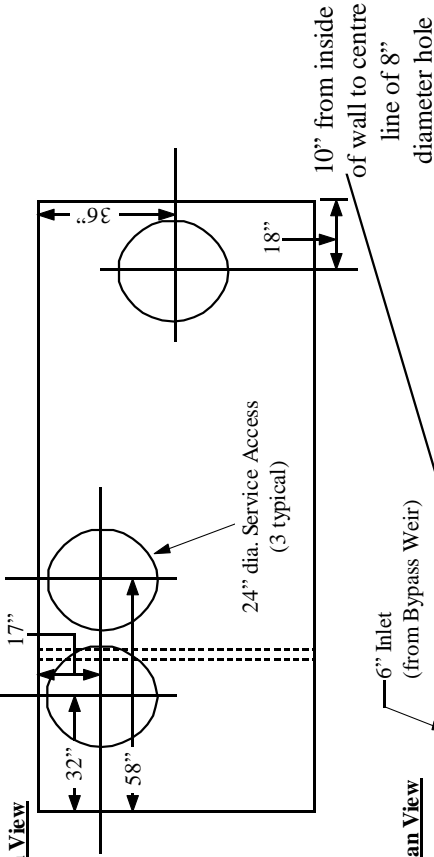
**Maintenance / Cleaning Procedures**

Through the 24" diameter service access hatches pump-out as follows:

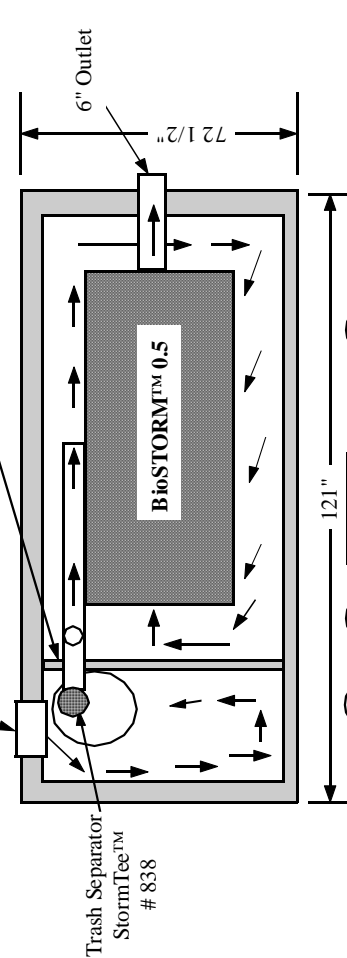
- Service Access A = remove coarse sand, grit & trash and use StormTEE™ cleaning swab to remove items on StormTEE™.
- Service Access B = remove fine sediment & floatables.
- Service Access C = remove floating hydro-carbons.
- 8" PVC Tee power wash out any settled sediment in pipe

BioSTORM(R) TSS reduction rate meet or exceed industry standards that are usually set at 70-80%

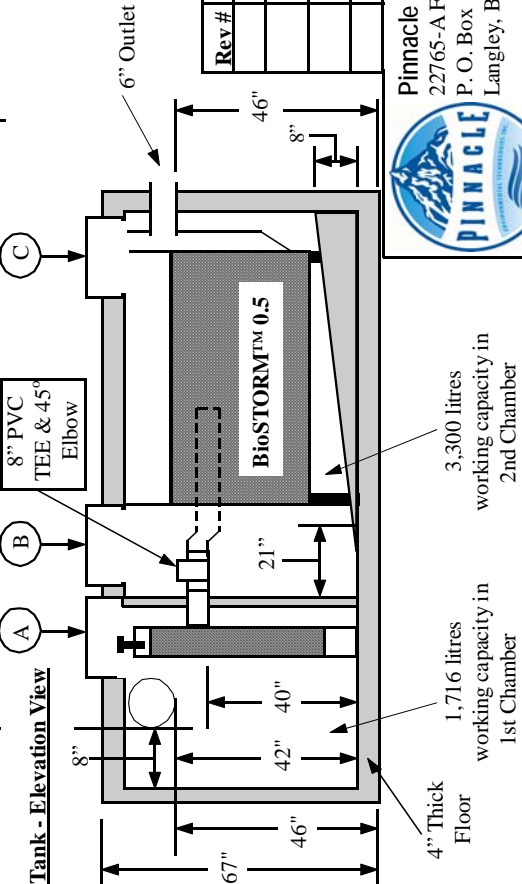
**Lid - Plan View**



**Tank - Plan View**



**Tank - Elevation View**

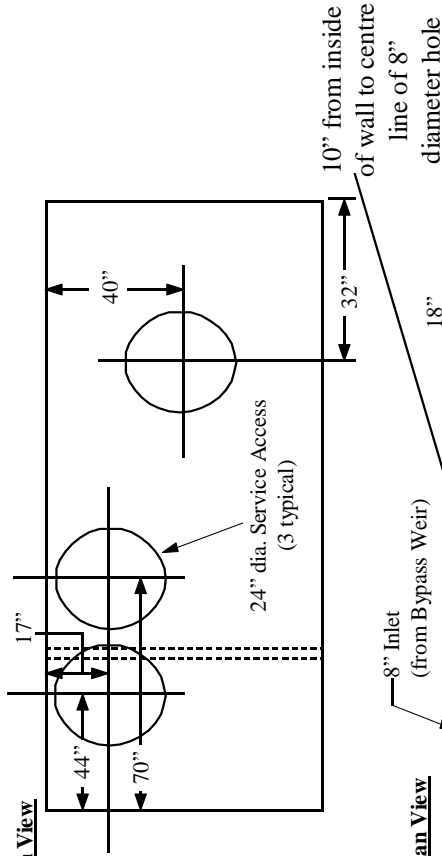


Rev #	Date	Detail	Drawing Title	BioSTORM® 0.5 2 Chamber Concrete Tank
			Project	
			Scale	Not to Scale
			Drawn By	Frank Hay
			Date	May 14, 2007
			Drawing No	FWP-BSM - 0.5 - 000

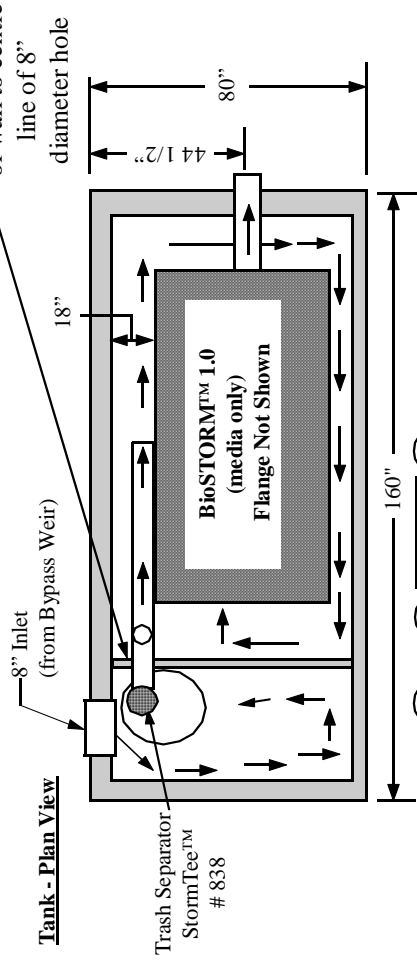


**Pinnacle Environmental Technologies Inc.**  
22765-A Fraser Highway Ph: 604-514-7555  
P. O. Box 12112 Fx: 604-514-7595  
Langley, BC V3A 9J5 Email: info@peti.ca  
WebSite: www.peti.ca

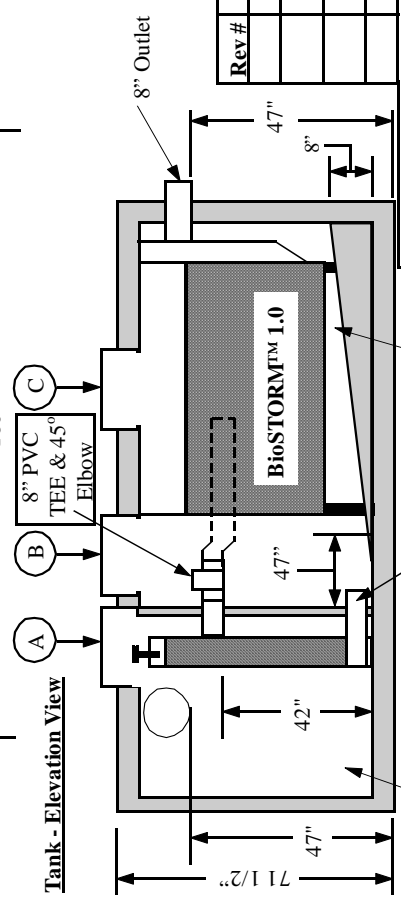
**Lid - Plan View**



**Tank - Plan View**



**Tank - Elevation View**



2,451 litres working capacity in 1st Chamber

6" diameter hole with centre of hole 6" from floor and 10" from tank wall

4,855 litres working capacity in 2nd Chamber

**BioSTORM® 1.0**

**Loading Capacity**

Peak Loading = 0.028 M<sup>3</sup>S = 1.0 CFS = 450 US Gals/M

**Notes:**

1. BioSTORM™ Module leg extensions are to be Schedule 40 PVC pipe for lengths less than 24" or Schedule 80 for lengths greater than 24".
2. Entire BioSTORM™ module is to be level and sealed to the underside of the tank lid.
3. BioSTORM™ module is to be held fast to the tank.
4. Weir box prior to the BioStorm™ unit is to be supplied by others.

**Maintenance / Cleaning Procedures**

Through the 24" diameter service access hatches pump-out as follows:

- Service Access A = remove coarse sand, grit & trash and use StormTEE™ cleaning swab to remove items on StormTEE™.
  - Service Access B = remove fine sediment & floatables.
  - Service Access C = remove floating hydro-carbons.
- 8" PVC Tee power wash out any settled sediment in pipe

BioSTORM(R) TSS reduction rate meet or exceed industry standards that are usually set at 70-80%

Rev #	Date	Detail

Drawing Title	BioSTORM® 1.0 2 Chamber Concrete Tank
Project	
Scale	Not to Scale
Drawn By	Frank Hay
Date	October 24, 2006
Drawing No	FWP-BSM - 1.0 - 000



**Pinnacle Environmental Technologies Inc.**  
 22765-A Fraser Highway Ph: 604-514-7555  
 P. O. Box 12112 Fax: 604-514-7595  
 Langley, BC V3A 9J5 Email: info@peti.ca  
 WebSite: www.peti.ca

**BioSTORM™ 1.5**

**Loading Capacity**

Peak Loading = 0.0425 M<sup>3</sup>S = 1.5 CFS = 675 US Gals/M

**Performance Characteristics**

The BioStorm™ clarification system shall be capable of a storm water flow peak loading of not more than 28.4 cubic feet per second (0.0425 m<sup>3</sup>/s or 675 us gals/minute) and the Total Suspended Solids shall be reduced at the rate to meet or exceed industry standards that are typically a reduction of 70 - 80% and a 95% reduction of floatable free oils.

**Tank Assembly Notes:**

1. BioSTORM™ Module leg extensions are to be Schedule 40 PVC pipe for lengths less than 24" or Schedule 80 for lengths greater than 24".
2. Entire BioSTORM™ module is to be level and sealed to the underside of the tank lid.
3. BioSTORM™ module to be held fast to the tank.
4. Weir box prior to the BioSTORM™ unit is to be supplied by others.

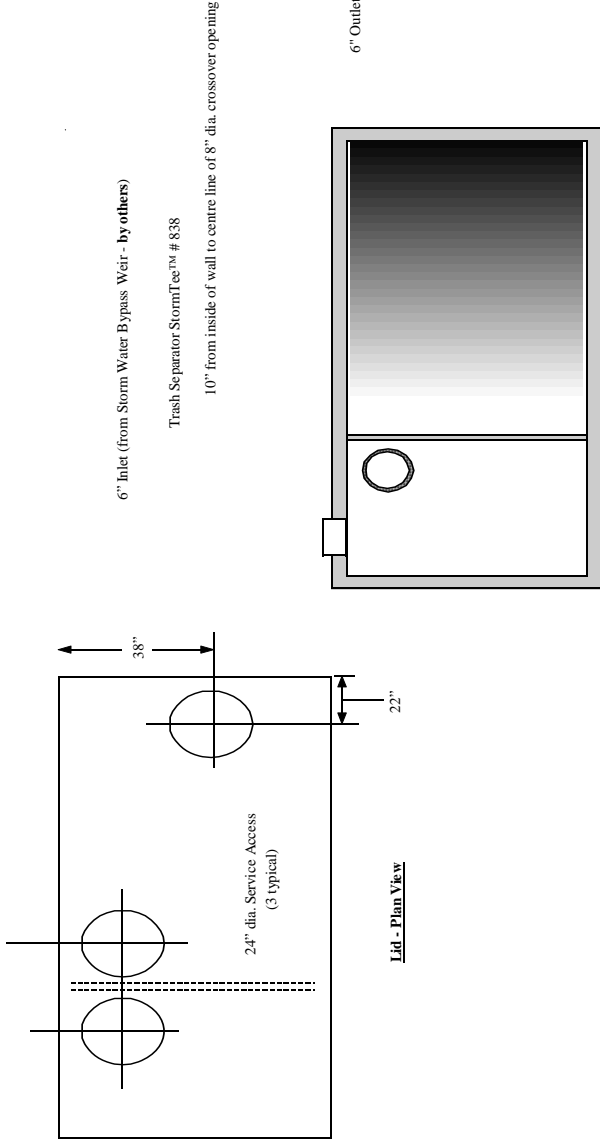
**Typical Maintenance / Cleaning Procedures**

Through the 24" diameter service access hatches pump-out as follows:

- Service Access A = remove coarse sand, grit & trash and use StormTEE™ cleaning swab to remove items on StormTEE™.
- Service Access B = remove fine sediment & floatables & flush out the 6" PVC Tee of any settled sediment in pipe
- Service Access C = remove floating hydro-carbons.

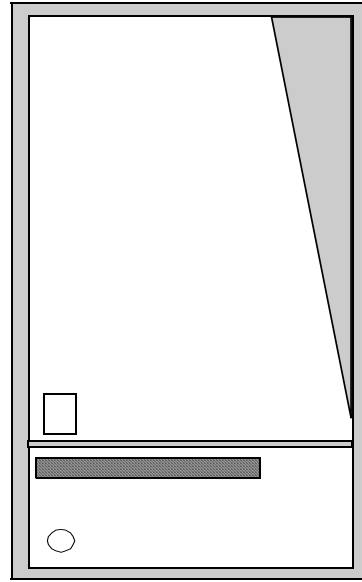
**Tank Burial & Installation Note**

For H2O Traffic Loading or high water table conditions, advise tank manufacturer on purchase order and follow tank manufacturer's recommendations for burial and installation.



**Tank - Plan View - Lid Removed**

A  
8" Sealed Crossover Opening

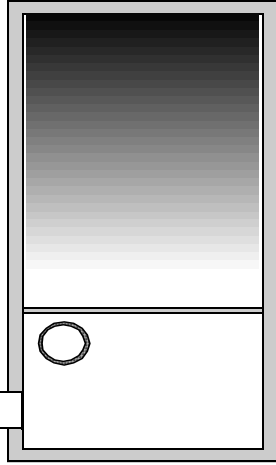


944 us gals working capacity in 1st Chamber

2,283 us gals working capacity in 2nd Chamber

**Tank - Elevation View**


6" Outlet



8" Outlet

Rev #	Date	Detail	Drawing Title	BioSTORM@ 1.5 H2O Traffic Loading
			Project	
			Scale	Not to Scale
			Drawn By	Frank Hby
			Date	Dec. 14, 2007
			Drawing No	FWP-BSM - 1.5 - 000

	
<b>Pinnacle Environmental Technologies Inc.</b> 22705-A Fraser Highway    Ph: 604-514-7555 P. O. Box 12112            Fx: 604-514-7595 Langley, BC V3A 9J5       Email: info@peti.ca WebSite: www.peti.ca	